

## AXIS M7001 Video Encoder

The smallest video encoder with H.264.



- > Compact and cost-effective
- > Full frame rate in all resolutions
- > Simultaneous H.264 and Motion JPEG
- > PTZ support
- > Power over Ethernet

The one-channel AXIS M7001 Video Encoder offers a highly compact design with superb H.264 performance, providing an easy and cost-effective solution for integrating small or large numbers of analog CCTV cameras into an IP-based video surveillance system.

The palm-sized, standalone AXIS M7001 is designed for installation close to an analog camera. It supports all types of analog cameras including PTZ (pan/tilt/zoom) and PTZ domes.

AXIS M7001 is perfect for small and large analog video installations, especially where an IP network infrastructure is already in place. Its small size also makes it ideal for use in discreet surveillance applications, for example, in retail stores and banks, and in camera housings.

AXIS M7001 can deliver two simultaneous video streams, one in H.264 and another in Motion JPEG, at full frame rate in all resolutions up to D1 (720x480 in NTSC, 720x576 in PAL).

The H.264 video compression format drastically reduces bandwidth and storage requirements without compromising image quality. Motion JPEG is supported for increased flexibility. The video encoder also provides video motion detection.

AXIS M7001 is powered over Ethernet using the same cable as for data transmission, which simplifies installation.



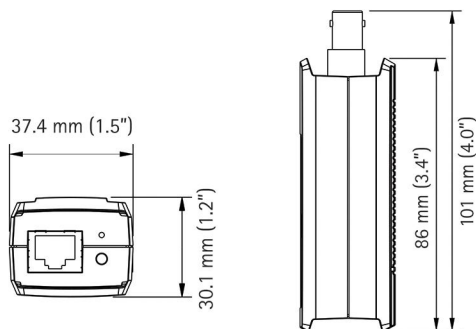
## Technical Specifications – AXIS M7001 Video Encoder

Video	
<b>Video compression</b>	H.264 (MPEG-4 Part 10/AVC) Motion JPEG
<b>Resolutions</b>	NTSC: 720x480 to 176x120 PAL: 720x576 to 176x144
<b>Frame rate</b>	H.264: 30/25 (NTSC/PAL) fps in all resolutions Motion JPEG: 30/25 (NTSC/PAL) fps in all resolutions
<b>Video streaming</b>	Two simultaneous streams, one in H.264 and one in Motion JPEG, in all resolutions Controllable frame rate and bandwidth VBR/CBR H.264
<b>Image settings</b>	Compression, Color, Brightness, Contrast, Saturation, Rotation, Aspect ratio correction, Mirroring of images, Text overlay, Privacy mask, Deinterlace filter
<b>Pan/Tilt/Zoom</b>	Wide range of analog PTZ cameras supported (drivers available for download at <a href="http://www.axis.com">www.axis.com</a> ) 20 presets, Guard tour, PTZ control queue Supports Windows compatible joysticks
Network	
<b>Security</b>	Password protection, IP address filtering, HTTPS <sup>a</sup> encryption, Digest authentication, User access log
<b>Supported protocols</b>	IPv4/v6, HTTP, HTTPS <sup>a</sup> , QoS Layer 3 DiffServ, FTP, SMTP, Bonjour, UPnP™, SNMPv1/v2c/v3 (MIB-II), DNS, DynDNS, NTP, RTSP, RTP, TCP, UDP, IGMP, RTCP, ICMP, DHCP, ARP, SOCKS
System integration	
<b>Application Programming Interface</b>	Open API for software integration, including VAPIX®; specifications at <a href="http://www.axis.com">www.axis.com</a> ONVIF, specification at <a href="http://www.onvif.org">www.onvif.org</a>
<b>Intelligent video</b>	Video motion detection
<b>Event triggers</b>	Intelligent video
<b>Event actions</b>	File upload: FTP, HTTP and email Notification: email, HTTP and TCP Pre- and post-alarm video buffering PTZ preset
General	
<b>Casing</b>	Standalone or wall mount
<b>Memory</b>	64 MB RAM, 128 MB Flash
<b>Power</b>	Power over Ethernet IEEE 802.3af Class 2
<b>Connectors</b>	Analog composite video BNC input, NTSC/PAL auto-sensing RJ45 10BaseT/100BaseTX PoE 2.5 mm (0.1") analog composite video tele plug input RS422/RS485
<b>Operating conditions</b>	0 °C to 50 °C (32 °F to 122 °F) Humidity 20–80% RH (non-condensing)
<b>Approvals</b>	EN 55022 Class B, EN 61000-3-2, EN 61000-3-3, EN 55024, EN 61000-6-1, EN 61000-6-2, FCC Part 15 Subpart B Class B, ICES-003 Class B, VCCI Class B, C-tick AS/NZS CISPR 22 Class B, EN 60950-1
<b>Weight</b>	82 g (0.18 lb)
<b>Included accessories</b>	Mounting kit, Installation Guide, CD with installation and management tools, software and User's Manual, 1 Windows decoder user license
<b>Video management software</b>	AXIS Camera Station and video management software from Axis' Application Development Partners (not included). For more information, see <a href="http://www.axis.com/products/video/software">www.axis.com/products/video/software</a>
<b>Warranty</b>	Axis 1-year warranty, see <a href="http://www.axis.com/warranty">www.axis.com/warranty</a>

a. This product includes software developed by the OpenSSL Project for use in the OpenSSL Toolkit (<http://www.openssl.org/>), and cryptographic software written by Eric Young ([ey@cryptsoft.com](mailto:ey@cryptsoft.com)).

More information is available at [www.axis.com](http://www.axis.com)

### Dimensions



### Optional accessories

1. AXIS T8310 Video Surveillance Control Board
2. Power over Ethernet midspan

