

# FC-29W 9" UN-UNIVERSAL Dome Housing

---

## **Installation Instructions**





## Safe Use of Equipment



### WARNING



#### **WARNING**

To reduce the risks of an electric shock, do not expose inside of this unit to rain or moisture.



Installation on a rainy day may also cause fog around the capsule.



#### **Installation**

Installation shall be done by qualified installer only and should conform to all local codes.



#### **Ensuring strength of supporting Dome Housing Unit**

The unit must be properly and securely mounted to a supporting structure capable of sustaining the weight of the unit. Recommend use 3/8" stainless screws x four (4).



#### **Prohibit changes or modifications of equipment**

You are cautioned that any changes or modifications not expressly approved in these instructions could void your authority to operate this equipment.



#### **Basic Operating Environment Condition**

We provide warranty for the products that are installed under normal outdoor -20°C ~ +50°C conditions. We are unable to provide warranty for the products which are installed indoor and exposed to constant high temperature over +50°C and over 90% humidity.

Operating temperature and humidity of camera varies from camera to camera. You are requested to confirm to camera specification with camera manufacturer and housing specification with us in advance. i.e. -20°C or below, you are requested to use additional heater and +50°C or above you are requested to use two blowers and Sunshield.



#### **Fasten wires tightly.**

##### **Attention:**

Keep wires away from the Fan / Heater, and do not disturb Fan/Heater's performance

# Table of contents

---

- 1. AXIS 214 PTZ network camera housing installation.....P.4
- 2. AXIS 215 PTZ network camera housing installation.....P.6
- 3. AXIS 233D PTZ network dome camera Housing installation.....P.8
- 4. AXIS P55XX series PTZ network dome camera Housing installation.....P.10
- 5. AXIS Q6034 PTZ network dome camera Housing installation.....P.12
- 6. Installation of FC-9002 Pole Mount Bracket and Dome housing.....P.14
- 7. Installation of FC-9005 Ceil Mount Bracket and Dome housing .....P.15
- 8. Installation of FC-9006 Ceil Mount Bracket and Dome housing .....P.16
- 9. Installation of FC-9007 Corner Adapter with Wall Mount Bracket and Dome housing.....P.17
- 10. Installation of FC-9008 Corner Adapter with Wall Mount Bracket and Dome housing .....P.18
- 11. Installation of FC-9009N Wall Mount Bracket and Dome housing .....P.19
- 12. Installation of FC-9009 Wall Mount Bracket and Dome housing.....P.20
- 13. Installation of FC-9011 Ceil Mount Bracket and Dome housing.....P.21
- 14. Dimensions .....P.22

# 1 AXIS 214 PTZ network camera Housing installation



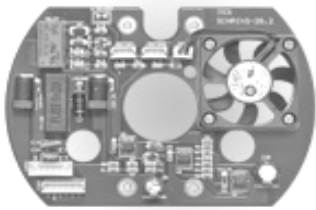
## WARNING

The unit must be properly and securely mounted to a supporting structure capable of sustaining the weight of unit. Recommend use stainless screws.

9" dome housing

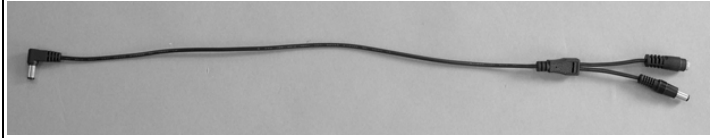


DC12V Fan+Heater



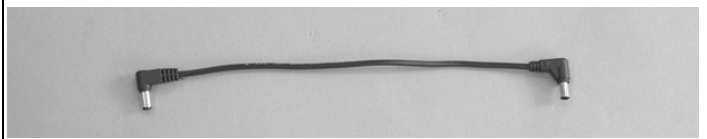
## Cables

L603



Power cable to PC board and external power supply

L704



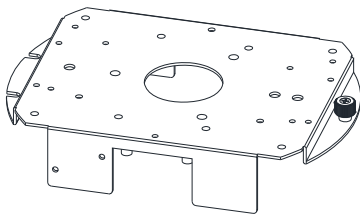
Power cable to PC board and PTZ network camera

L705

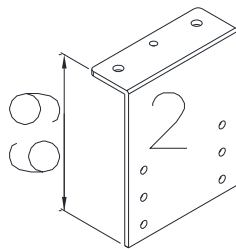


Network extension cable to internet

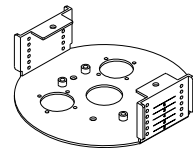
## Component Parts for Assembly



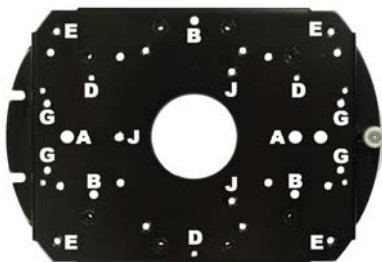
Square-shaped upper board



No. 2 side board



Round-shaped bottom board



Screw the camera on, through hole **B**, with washer in the back

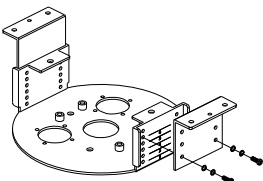
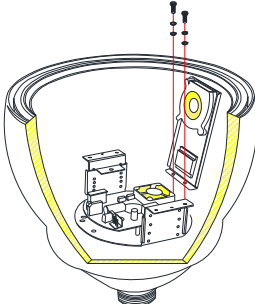
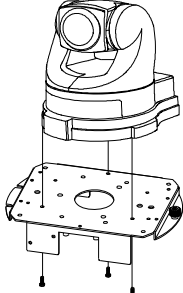


No. 3 Allen Key ( for cover and wall mount bracket tighten)

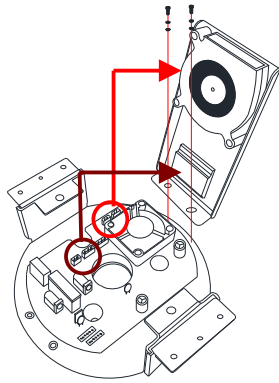
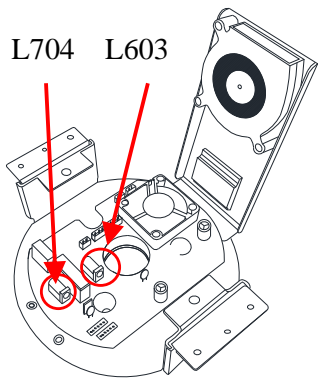



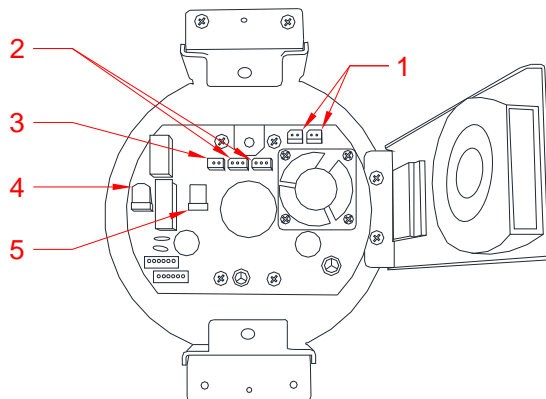
**3x12 Double Washer screws** for camera to Square-shaped upper board,

## Assembly Steps of the Camera and the Dome Housing

		
<p>1-1-1</p>	<p>1-1-2</p>	<p>1-1-3</p>
<p>Fix No. 2 side board (Hole 2) to the round-shaped bottom board (Hole 5) with 3x8 Double Washer screws.</p>	<p>Use 4x8 double washer screws to Fix Fan/Heater side board on Round-shaped bottom board, connect power cable to Fan/Heater</p>	<p>Fix screws on back of square-shaped upper board which go through from back to front to fix the camera on the square-shaped upper board (Hole B) with 3x12 double washer screws.</p>

## Assembly Steps of the Cables

	 <p>L704 L603</p>	 <p>L705 L704</p>
<p>1-2-1</p>	<p>1-2-2</p>	<p>1-2-3</p>
<p>Use 4x8 double washer to Fix Fan/Heater side board on Round-shaped bottom board, connect power cable to Fan/Heater</p>	<p>Connect L603 to the PC board. Connect L704 to the PC board.</p>	<p>Connect L704 and L705 to the camera. Cables used for camera.</p>



1. DC 12V FAN
2. DC 12V HEATER
3. H/SENSOR

4. DC 12V OUT
5. DC 12V IN

## 2 AXIS 215 PTZ network camera Housing installation



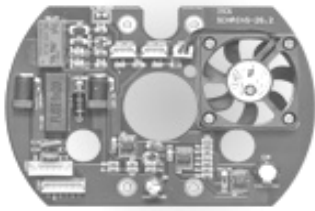
### WARNING

The unit must be properly and securely mounted to a supporting structure capable of sustaining the weight of unit. Recommend use stainless screws.

9" dome housing

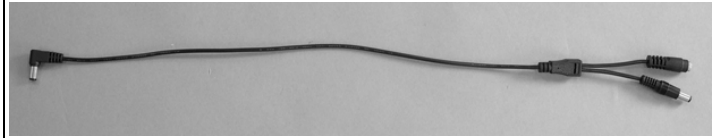


DC12V Fan+Heater



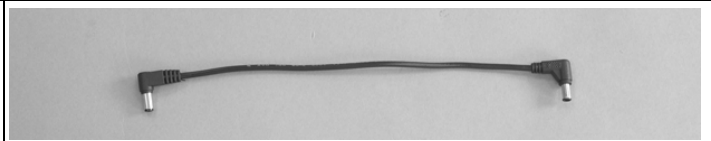
### Cables

L603



Power cable to PC board and external power supply

L704



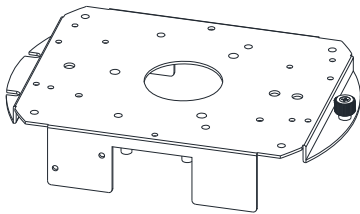
Power cable to PC board and PTZ network camera

L705

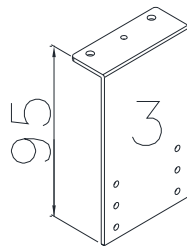


Network extension cable to internet

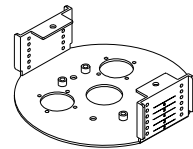
### Component Parts for Assembly



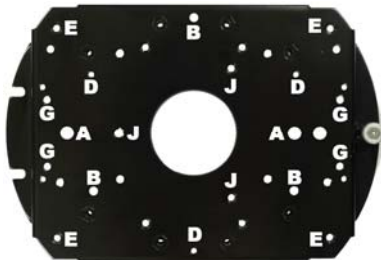
Square-shaped upper board



No. 3 side board



Round-shaped bottom board



Screw the camera on, through hole **G**, with washer in the back

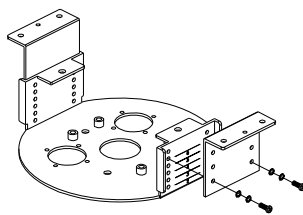
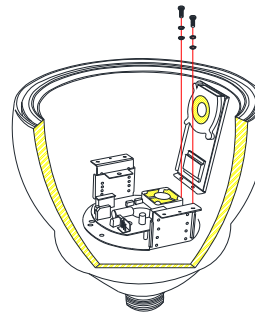
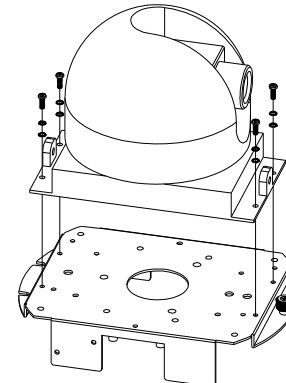


No. 3 Allen Key ( for cover and wall mount bracket tighten)

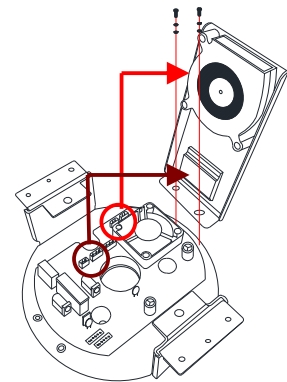
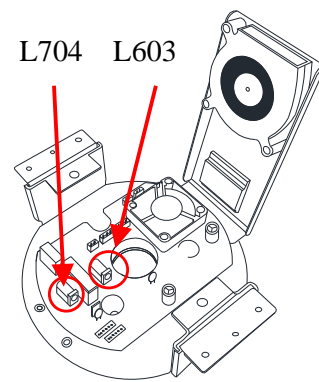
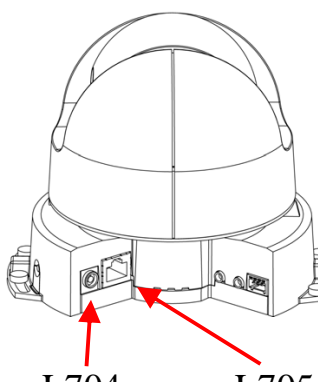


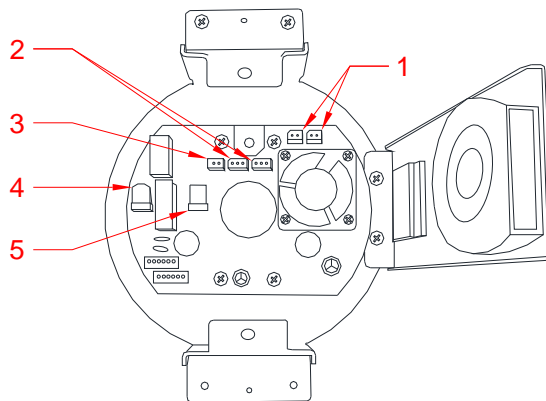
**4x10 Double Washer screws** for camera to Square-shaped upper board,

## Assembly Steps of the Camera and the Dome Housing

		
2-1-1	2-1-2	2-1-3
<p>Fix No. 3 side board (Hole 1) to the round-shaped bottom board (Hole 6) with 3x8 Double Washer screws.</p>	<p>Use 4x8 double washer screws to Fix Fan/Heater side board on Round-shaped bottom board, connect power cable to Fan/Heater</p>	<p>Fix screws on front of square-shaped upper board to fix the camera on square-shaped upper board (Hole G) with 4x10 double washer screws.</p>

## Assembly Steps of the Cables

		
2-2-1	2-2-2	2-2-3
<p>Use 4x8 double washer to Fix Fan/Heater side board on Round-shaped bottom board, connect power cable to Fan/Heater</p>	<p>Connect L603 to the PC board. Connect L704 to the PC board.</p>	<p>Connect L704 and L705 to the camera. Cables used for camera.</p>



1. DC 12V FAN
2. DC 12V HEATER
3. H/SENSER

4. DC 12V OUT
5. DC 12V IN



### 3 AXIS 233D PTZ network dome camera Housing installation



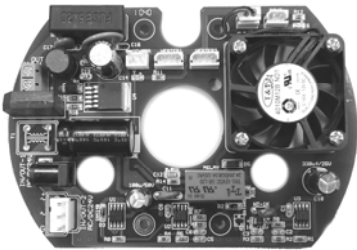
#### WARNING

The unit must be properly and securely mounted to a supporting structure capable of sustaining the weight of unit. Recommend use stainless screws.

9" dome housing

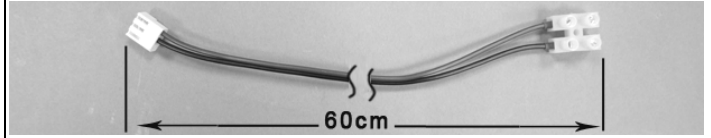


AC24V Fan+Heater



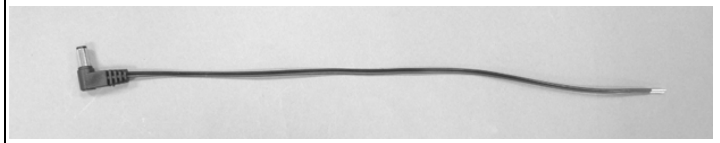
#### Cables

L605P-2



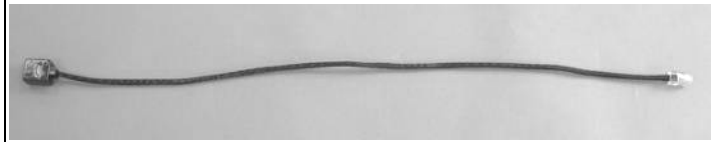
Power cable to PC board and external power supply

L704P-2.0



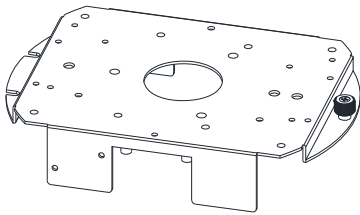
Power cable to PC board and camera

L705

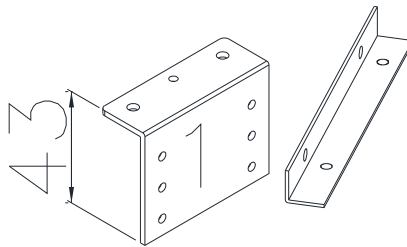


Network extension cable to internet

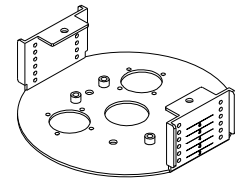
#### Component Parts for Assembly



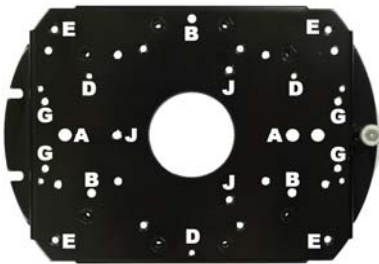
Square-shaped upper board



No. 1 side board & L board



Round-shaped bottom board



Screw the camera on, through hole E, with washer in the back

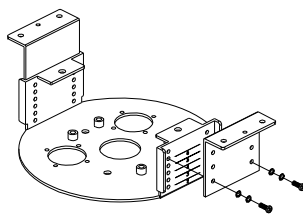
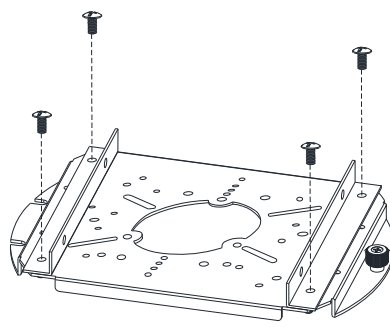
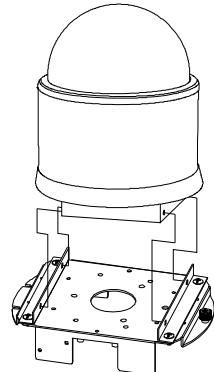


No. 3 Allen Key ( for cover and wall mount bracket tighten)

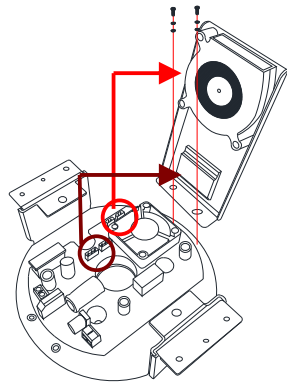
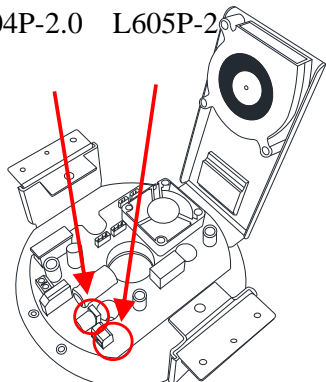
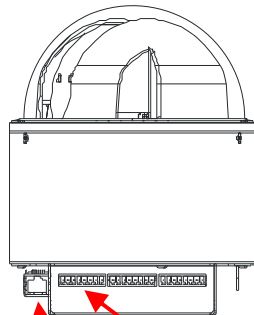


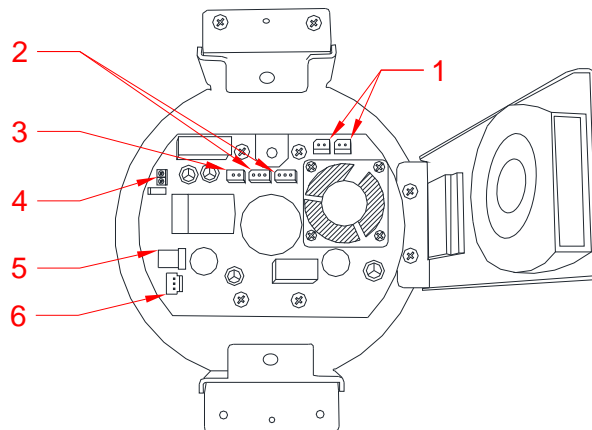
4x10 Double Washer screws for camera to Square-shaped upper board,

## Assembly Steps of the Camera and the Dome Housing

		
<p>3-1-1</p>	<p>3-1-2</p>	<p>3-1-3</p>
<p>Fix No. 1 side board (Hole 1) to the round-shaped bottom board (Hole 5) with 3x8 Double Washer screws.</p>	<p>Fix screws on front of square-shaped upper board to fix the L board on square-shaped upper board (Hole E) with 4x10 double washer screws.</p>	<p>Fix the camera to the L board with 4x10 double washer screws.</p>

## Assembly Steps of the Cables

	<p>L704P-2.0 L605P-2</p> 	 <p>L705 L704P-2.0</p>
<p>3-2-1</p>	<p>3-2-2</p>	<p>3-2-3</p>
<p>Use 4x8 double washer to Fix Fan/Heater side board on Round-shaped bottom board, connect power cable to Fan/Heater</p>	<p>Connect L605P-2 to the PC board. Connect L704P-2.0 to the PC board.</p>	<p>Connect L704P-2.0 and L705 to the camera. Cables used for camera.</p>



1. DC 12V FAN
2. AC 24V HEATER
3. H/SENSER

4. DC 12V OUT
5. AC 24V OUT
6. AC 24V IN

# 4 AXIS P55XX series PTZ network dome camera Housing installation



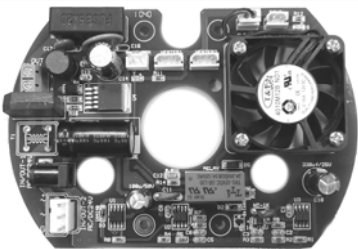
## WARNING

The unit must be properly and securely mounted to a supporting structure capable of sustaining the weight of unit. Recommend use stainless screws.

9" dome housing

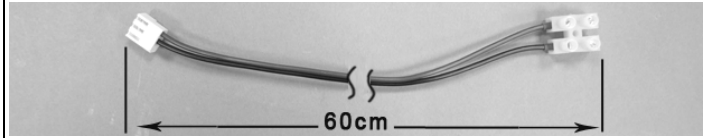


AC24V Fan+Heater



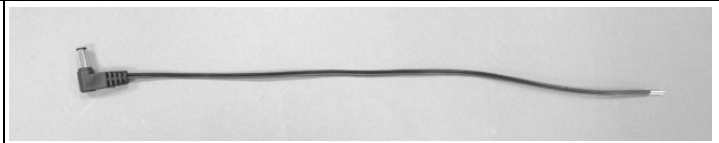
## Cables

L605P-2



Power cable to PC board and external power supply

L704P-2.0



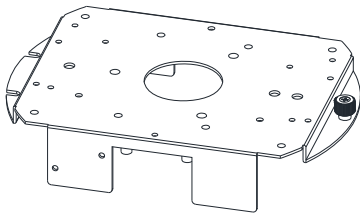
Power cable to PC board and camera

L705

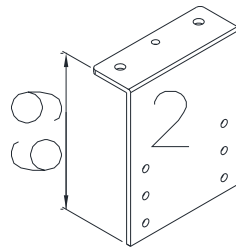


Network extension cable to internet

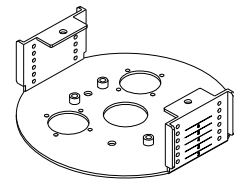
## Component Parts for Assembly



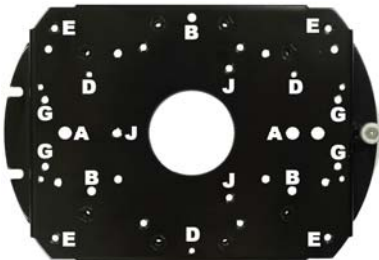
Square-shaped upper board



No. 2 side board



Round-shaped bottom board



Screw the camera on, through hole J, with washer in the back

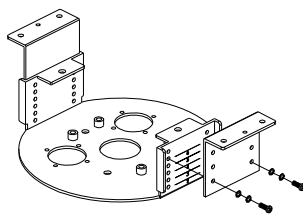
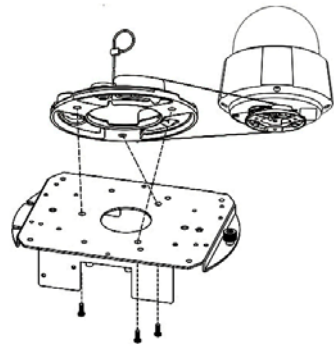
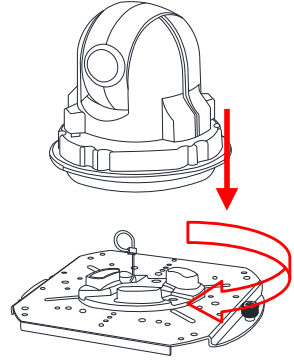


No. 3 Allen Key ( for cover and wall mount bracket tighten)

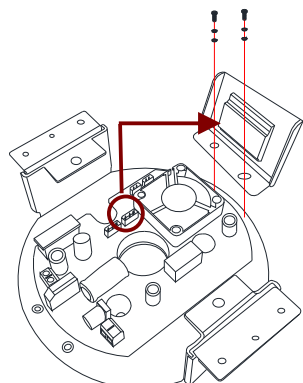
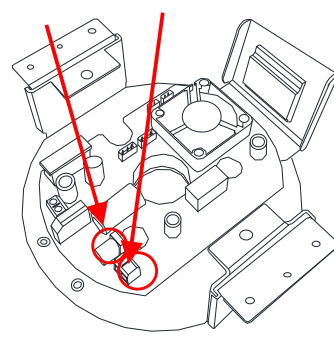
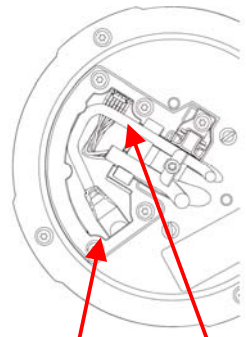
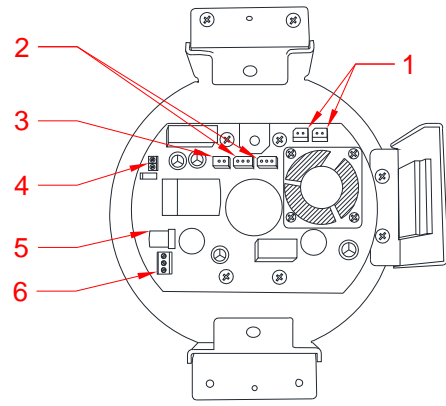


**4x10 Double Washer screws** for camera to Square-shaped upper board,

## Assembly Steps of the Camera and the Dome Housing

		
<p>4-1-1</p>	<p>4-1-2</p>	
<p>Fix No. 2 side board (Hole 2) to the round-shaped bottom board (Hole 5) with 3x8 Double Washer screws.</p>	<p>Fix screws on front of square-shaped upper board to fix the camera base on square-shaped upper board (Hole J) with 4x10 double washer screws. Then tighten camera on camera base.</p>	

## Assembly Steps of the Cables

	<p>L704P-2.0 L605P-2</p> 	 <p>L705 L704P-2.0</p>
<p>4-2-1</p>	<p>4-2-2</p>	<p>4-2-3</p>
<p>Use 4x8 double washer to Fix Heater side board on Round-shaped bottom board, connect power cable to Heater</p>	<p>Connect L605P-2 to the PC board. Connect L704P-2.0 to the PC board.</p>	<p>Connect L704P-2.0 and L705 to the camera. Cables used for camera.</p>
		
<p>1. DC 12V FAN 2. AC 24V HEATER 3. H/SENSOR</p>	<p>4. DC 12V OUT 5. AC 24V OUT 6. AC 24V IN</p>	

# 5 AXIS Q6034 PTZ network dome camera Housing installation



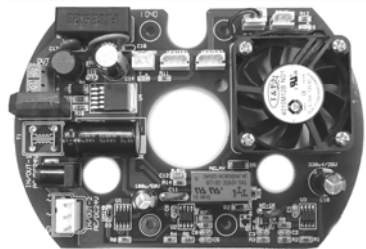
## WARNING

The unit must be properly and securely mounted to a supporting structure capable of sustaining the weight of unit. Recommend use stainless screws.

9" dome housing

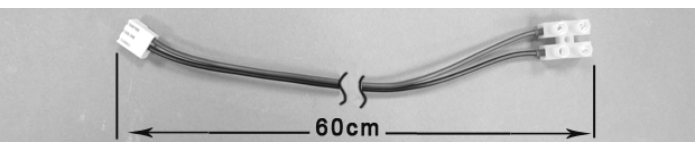


AC24V Fan+Heater



## Cables

L605P-2



Power cable to PC board and external power supply

L704P-2.0



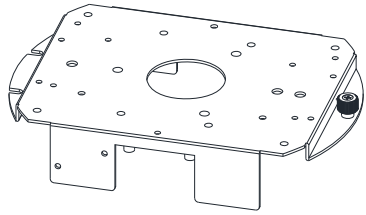
Power cable to PC board and camera

L705



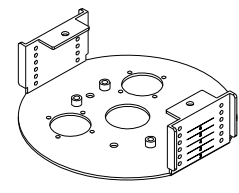
Network extension cable to internet

## Component Parts for Assembly

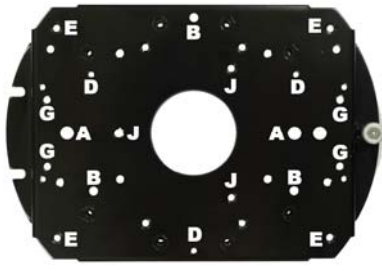


Square-shaped upper board

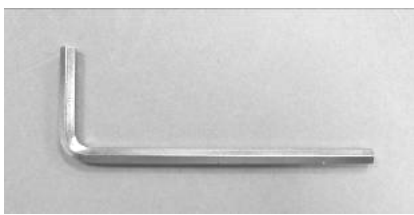
No side board needed



Round-shaped bottom board



Screw the camera on, through hole J, with washer in the back



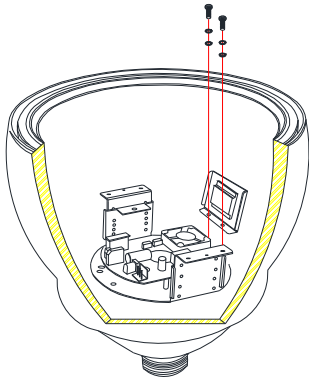
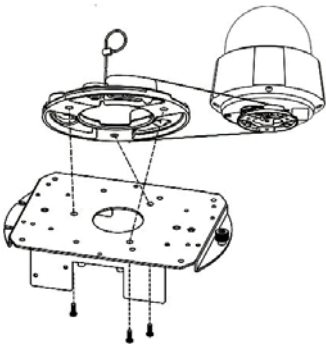
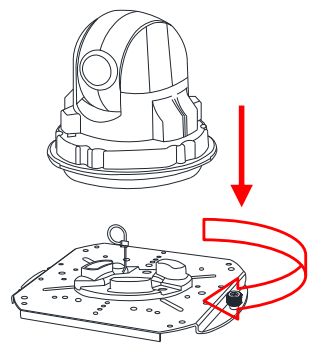
No. 3 Allen Key ( for cover and wall mount bracket tighten)



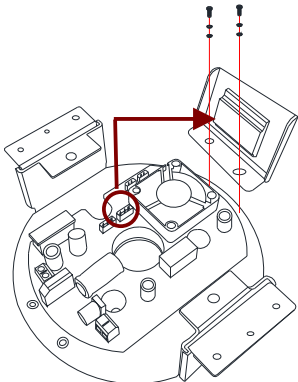
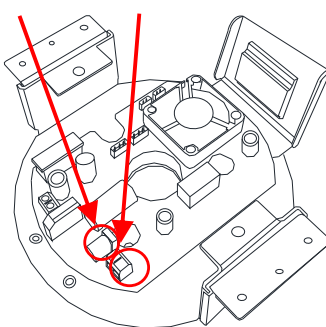
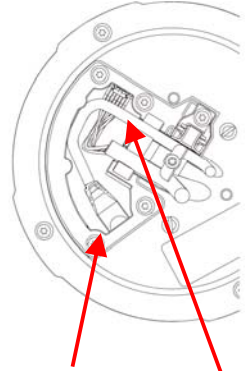
**4x10 Double Washer screws** for camera to Square-shaped upper board, **5x10 Double Washer screws** for Square-shaped upper board to Round-shaped bottom board

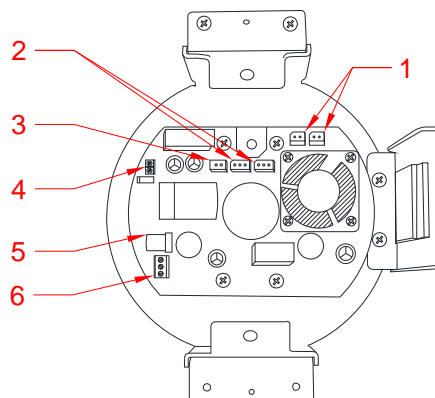


## Assembly Steps of the Camera and the Dome Housing

		
<p>5-1-1</p>	<p>5-1-2</p>	
<p>Use 4x8 double washer screws to Fix Heater side board on Round-shaped bottom board, connect power cable to Heater</p>	<p>Fix screws on front of square-shaped upper board to fix the camera base on square-shaped upper board (Hole J) with 4x10 double washer screws. Then tighten camera on camera base.</p>	

## Assembly Steps of the Cables

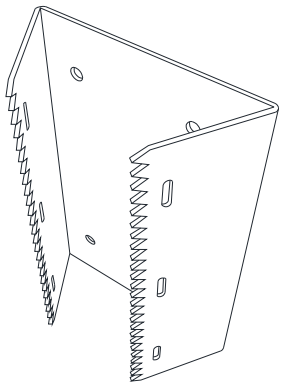
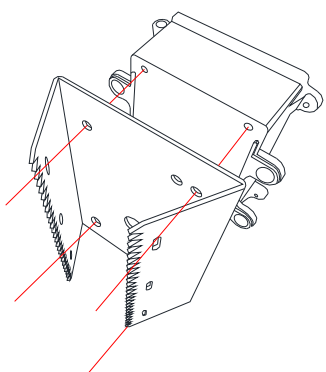
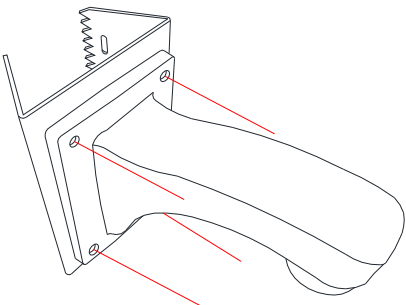
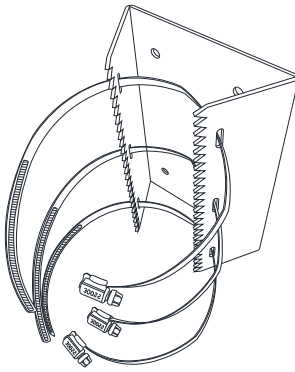
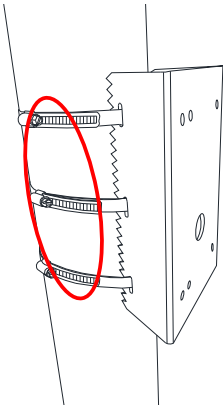
	<p>L704P-2.0 L605P-2</p> 	 <p>L705 L704P-2.0</p>
<p>5-2-1</p>	<p>5-2-2</p>	<p>5-2-3</p>
<p>Use 4x8 double washer to Fix Heater side board on Round-shaped bottom board, connect power cable to Heater</p>	<p>Connect L605P-2 to the PC board. Connect L704P-2.0 to the PC board.</p>	<p>Connect L704P-2.0 and L705 to the camera. Cables used for camera.</p>



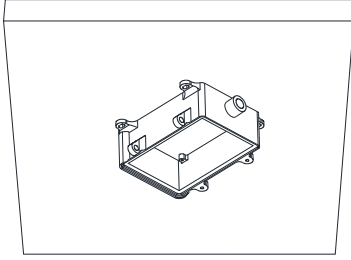
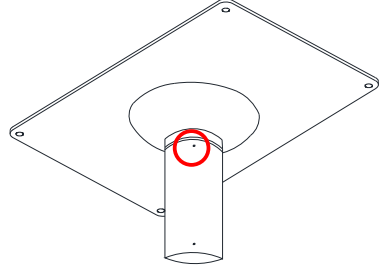
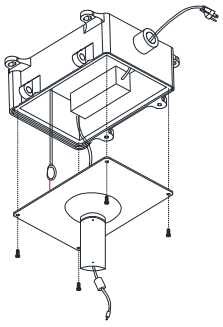
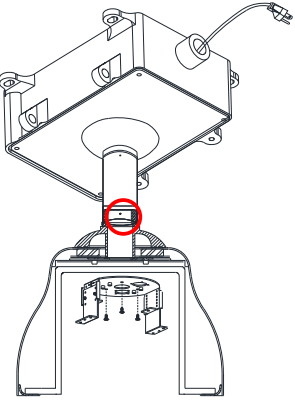
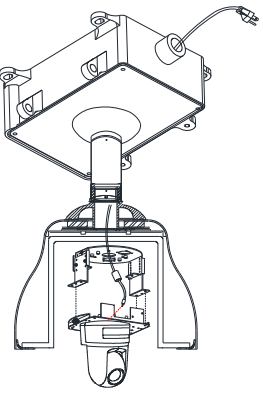
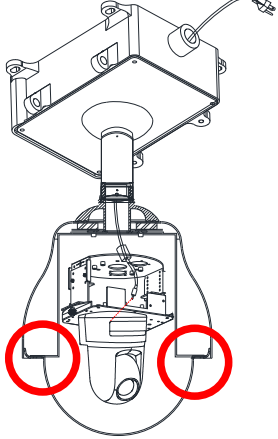
1. DC 12V FAN
2. AC 24V HEATER
3. H/SENSOR

4. DC 12V OUT
5. AC 24V OUT
6. AC 24V IN

## 6 Installation of FC-9002 Pole Mount Bracket and Dome housing

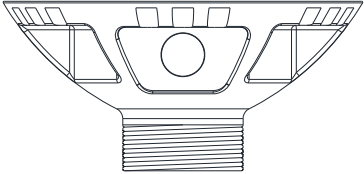
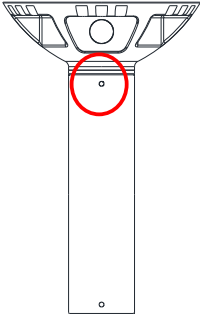
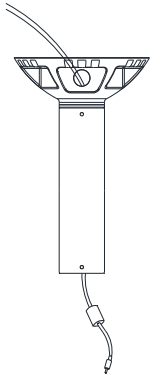
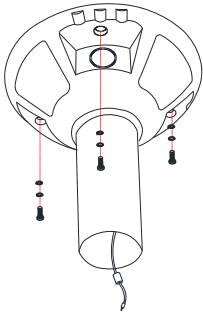
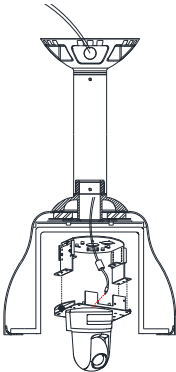
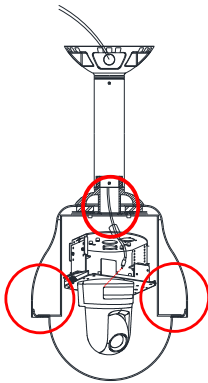
		
<p>6-1</p>	<p>6-2-1</p>	<p>6-2-2</p>
<p>FC-9002 Pole Mount Bracket</p>	<p>For installation with FC-9009 + FC-9010 (wall mount bracket and power box), screw FC-9010 power box on FC-9002 Pole Mount Bracket</p>	<p>For installation with FC-9009N wall mount bracket, screw FC-9009N on FC-9002 Pole Mount Bracket</p>
		
<p>6-3</p>	<p>6-4</p>	
<p>Thread the hoop through FC-9002</p>	<p>Fasten hoop tightly with flathead screwdriver</p>	

## 7 Installation of FC-9005 Ceil Mount Bracket and Dome housing

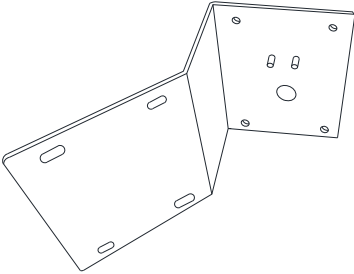
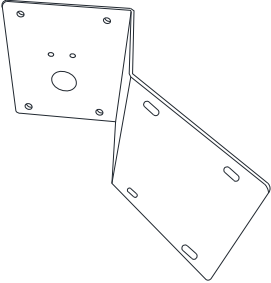
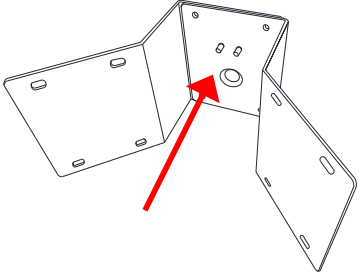
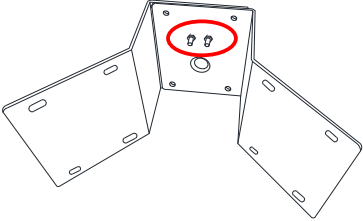
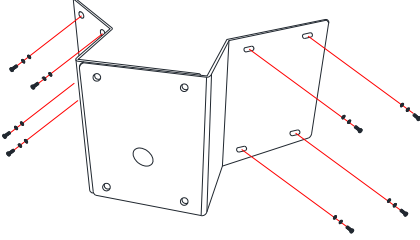
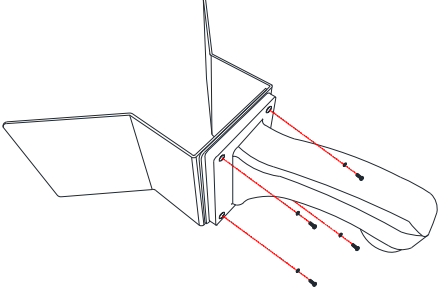
		
<p>7-1</p>	<p>7-2</p>	<p>7-3</p>
<p>Fix FC-9010 power box on ceil</p>	<p>Twist and Tighten the Pole to the Top of FC-9005</p>	<p>Insert cables through power box and FC-9005, buckle up the safety rope, and then tighten up screws</p>
		
<p>7-4</p>	<p>7-5</p>	<p>7-6</p>
<p>Fix dome housing with FC-9005 bracket</p>	<p>Fix camera to dome housing and connect the cables</p>	<p>Use Hex Head Cap nut to fix cover and dome housing</p>



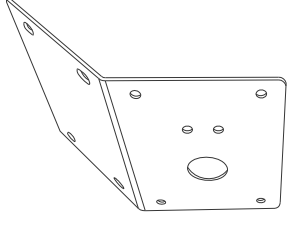
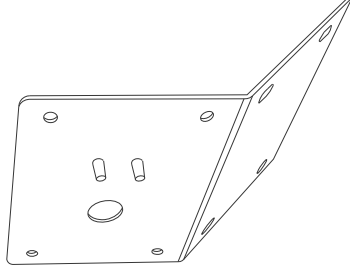
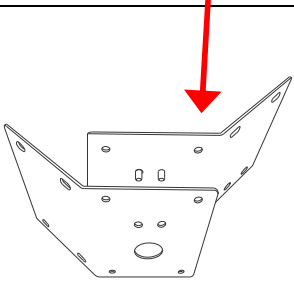
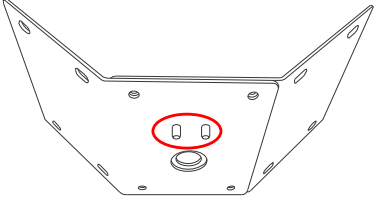
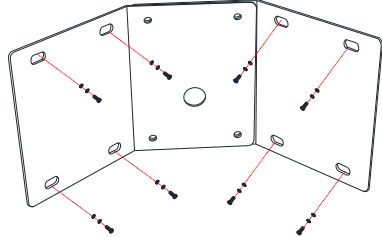
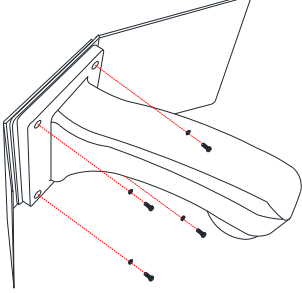
## 8 Installation of FC-9006 Ceil Mount Bracket and Dome housing

		
<p>8-1</p>	<p>8-2</p>	<p>8-3</p>
<p>Top of FC-9006 Pendant Mount Bracket</p>	<p>Twist and Tighten the Pole clockwise to the Top of FC-9006 (Two HEX HEAD CAP SCREWS (Two HEX HEAD CAP SCREWS are already installed on Pole), use Allen Key to tighten the screws. .</p>	<p>Insert cables through FC-9006</p>
		
<p>8-4</p>	<p>8-5</p>	<p>8-6</p>
<p>Fix FC-9006 bracket on the ceil</p>	<p>Assemble the dome housing and the bracket, and use Allen Key to fix screws tightly. Fix camera to dome housing and connect the cables</p>	<p>Use Hex Head Cap nut to fix cover and dome housing</p>

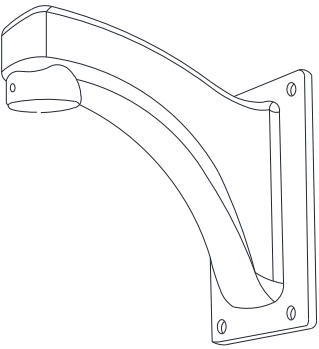
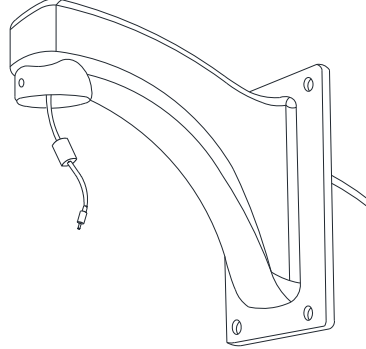
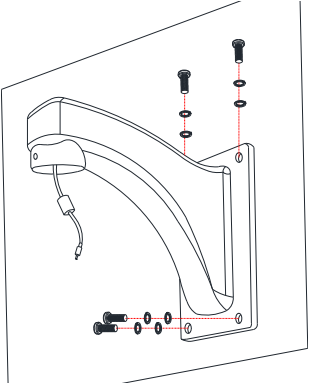
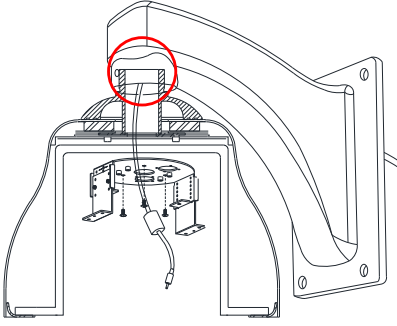
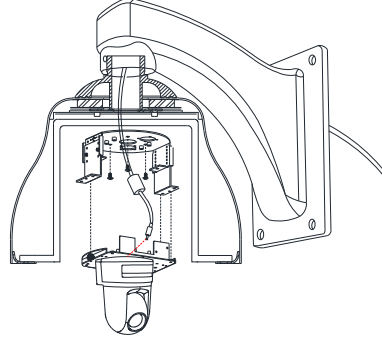
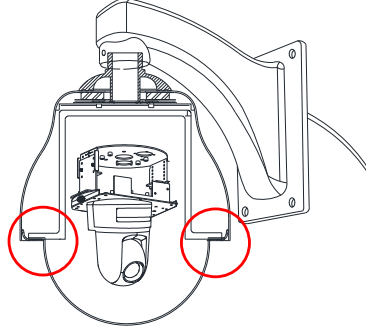
# Installation of FC-9007 Corner Adapter with Wall Mount Bracket and Dome housing

		
<p>9-1</p> <p>FC-9007 Exterior Angle 90° Corner Adapter Part1</p>	<p>9-2</p> <p>FC-9007 Exterior Angle 90° Corner Adapter Part2</p>	<p>9-3</p> <p>Join FC-9007 Part1 and Part2 together</p>
		
<p>9-4</p> <p>Tighten Hex Head Cap screws clockwise</p>	<p>9-5</p> <p>Then fix whole FC-9007 Exterior Angle 90° Corner Adapter on the wall</p>	<p>9-6</p> <p>Fix Wall Mount Bracket on FC-9007 Corner Adapter with washer in the front and the screw nut in the back</p>

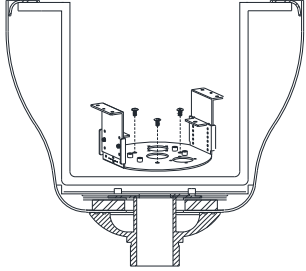
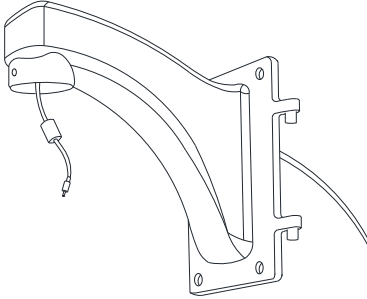
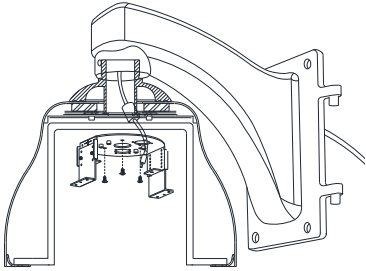
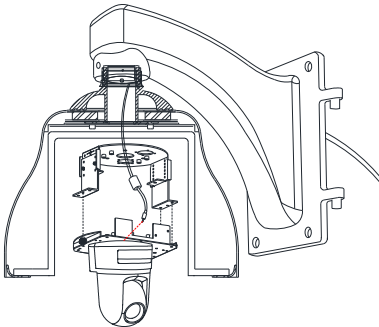
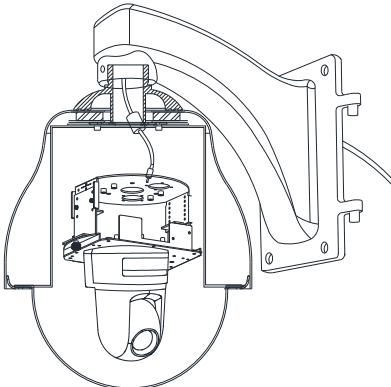
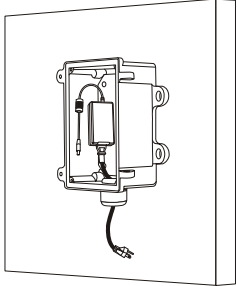
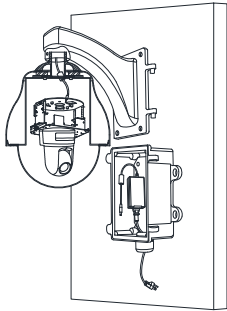
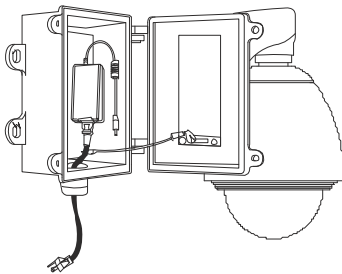
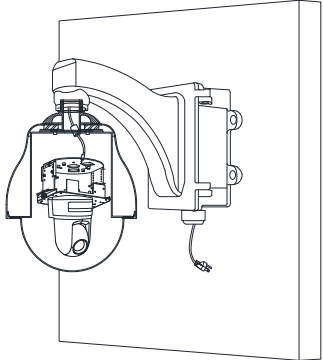
# Installation of FC-9008 Corner Adapter with Wall Mount Bracket and Dome housing

		
<p>10-1</p>	<p>10-2</p>	<p>10-3</p>
<p>FC-9008 Interior Angle 90° Corner Adapter Part1</p>	<p>FC-9008 Interior Angle 90° Corner Adapter Part2</p>	<p>Join FC-9008 Part1 and Part2 together</p>
		
<p>10-4</p>	<p>10-5</p>	<p>10-6</p>
<p>Tighten Hex Head Cap screws clockwise</p>	<p>Then fix whole FC-9008 Interior Angle 90° Corner Adapter on the wall</p>	<p>Fix Wall Mount Bracket on FC-9008 Corner Adapter with washer in the front and the screw nut in the back</p>

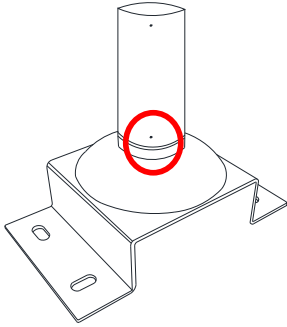
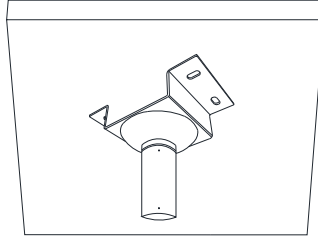
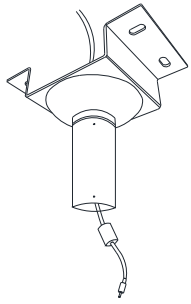
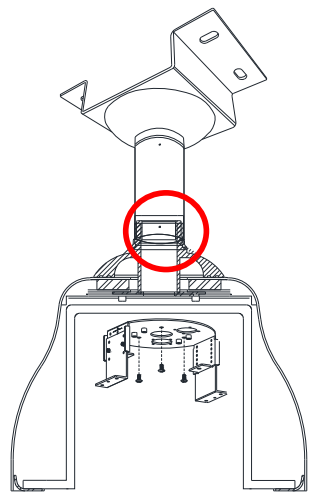
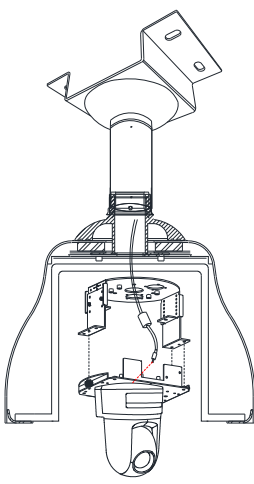
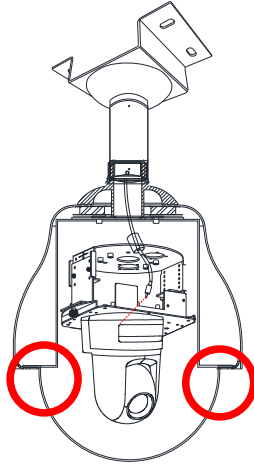
# 11 Installation of FC-9009N Wall Mount Bracket and Dome housing

		
<p>11-1</p>	<p>11-2</p>	<p>11-3</p>
<p>FC-9009N Wall Mount Bracket</p>	<p>Put cables through bracket</p>	<p>Fix bracket on wall</p>
		
<p>11-4</p>	<p>11-5</p>	<p>11-6</p>
<p>Assemble the dome housing and the bracket, and use Allen Key to fix 4x10 screws tightly.</p>	<p>Fix camera to dome housing and connect the cables</p>	<p>Use Hex Head Cap nut to fix cover and dome housing</p>

## 12 Installation of FC-9009 Wall Mount Bracket and Dome housing

		
<p>12-1</p> <p>Fix mounting holder to the Dome housing.</p>	<p>12-2</p> <p>Put cables through the bracket.</p>	<p>12-3</p> <p>Assemble the Dome housing and the bracket.</p>
		
<p>12-4</p> <p>Fix camera to dome housing and connect the cables</p>	<p>12-5</p> <p>Use Hex Head Cap nut to fix cover and dome housing</p>	<p>12-6</p> <p>Fix the power box to the wall or to the column.</p>
		
<p>12-7</p> <p>Have the bracket hooked up to the tenon of the power box.</p>	<p>12-8</p> <p>Buckle up the safety rope and then connect cables with the outward cables.</p>	<p>12-9</p> <p>The completed assembly.</p>

# 13 Installation of FC-9011 Ceil Mount Bracket and Dome housing

		
<p>13-1</p>	<p>13-2</p>	<p>13-3</p>
<p>Twist and Tighten the Pole to the Top of FC-9011</p>	<p>Fix FC-9011 on Ceil</p>	<p>Insert cables through FC-9011</p>
		
<p>13-4</p>	<p>13-5</p>	<p>13-6</p>
<p>Fix dome housing with FC-9011 bracket</p>	<p>Fix camera to dome housing and connect the cables</p>	<p>Use Hex Head Cap nut to fix cover and dome housing</p>

# 14 Dimensions

<p>14-1</p>	<p>14-2</p>	<p>14-3</p>
<p>FC-29W 9" housing Internal dimensions</p>	<p>FC-9002 Pole Mount Bracket</p>	<p>FC-9005 Pendant Mount Bracket</p>
<p>14-4</p>	<p>14-5</p>	<p>14-6</p>
<p>FC-9009N or FC-9009 Wall Mount Bracket dimensions</p>	<p>FC-9006-30 30cm Pendant Mount Bracket dimensions</p>	<p>FC-9007 Exterior Angle 90° Corner Adapter dimensions</p>
<p>14-7</p>	<p>14-8</p>	<p>14-9</p>
<p>FC-9008 Interior Angle 90° Corner Adapter dimensions</p>	<p>FC-9010 Power Box dimensions</p>	<p>FC-9011 Pendant Mount Bracket</p>

## IMPORTANT SAFEGUARDS

1. **Read Instructions** – All the safety and operating instructions should be read before operating the unit.
2. **Retain Instructions** – The safety and operating instructions should be retained for future reference.
3. **Heed Warnings** – All warnings on the unit and in the operating instructions should be adhered to.
4. **Follow Instructions** – All operating user instructions should be followed.
5. **Electrical Connections** – Only a qualified electrician should make the electrical connections.
6. **Attachments** – Do not use attachments not recommended by the product manufacturer as they may cause hazards.
7. **Cable Runs** – All cable runs must be within permissible distance.
8. **Mounting** – This unit must be properly and securely mounted to a supporting structure capable of sustaining the weight of the unit.  
Accordingly:
  - a. The installation should be made by qualified installer.
  - b. The installation should be in compliance with local codes.
  - c. Care should be exercised to select suitable hardware to install the unit, taking into account both the composition of the mounting surface and the weight of the unit. Be sure to periodically examine the unit and the supporting structure to make sure that the integrity of the installation is intact. Failure to comply with the foregoing could result in the unit separating from the support structure and falling, with resultant damages or injury to anyone or anything struck by the falling unit.

## SAFETY PRECAUTIONS



**CAUTION**  
RISK OF  
ELECTRIC SHOCK!



**CAUTION: TO REDUCE THE RISK OF  
ELECTRICAL SHOCK, DO NOT EXPOSE  
COMPONENTS TO WATER OR MOISTURE.**



The lightning flash with an arrowhead symbol, within an equilateral triangle, is intended to alert the user to the presence of non-insulated “dangerous voltage” within the product’s enclosure that may be of sufficient magnitude to constitute a risk of electric shock to persons.



The exclamation point within an equilateral triangle is intended to alert the user to presence of important operating and maintenance (servicing) instructions in the literature accompanying the appliance.

## UNPACKING

Unpack carefully. Electric components can be damaged if improperly handled or dropped. If any of the products appears to have been damaged during the shipment, replace it properly in its carton and notify the shipper.

Be sure to save:

1. The shipping carton and packaging material. They are the safest material in which to make future shipments of the equipment
2. The Installation and Operating Instructions.









