


FAXCONT FC-29W

9" Dome Housings



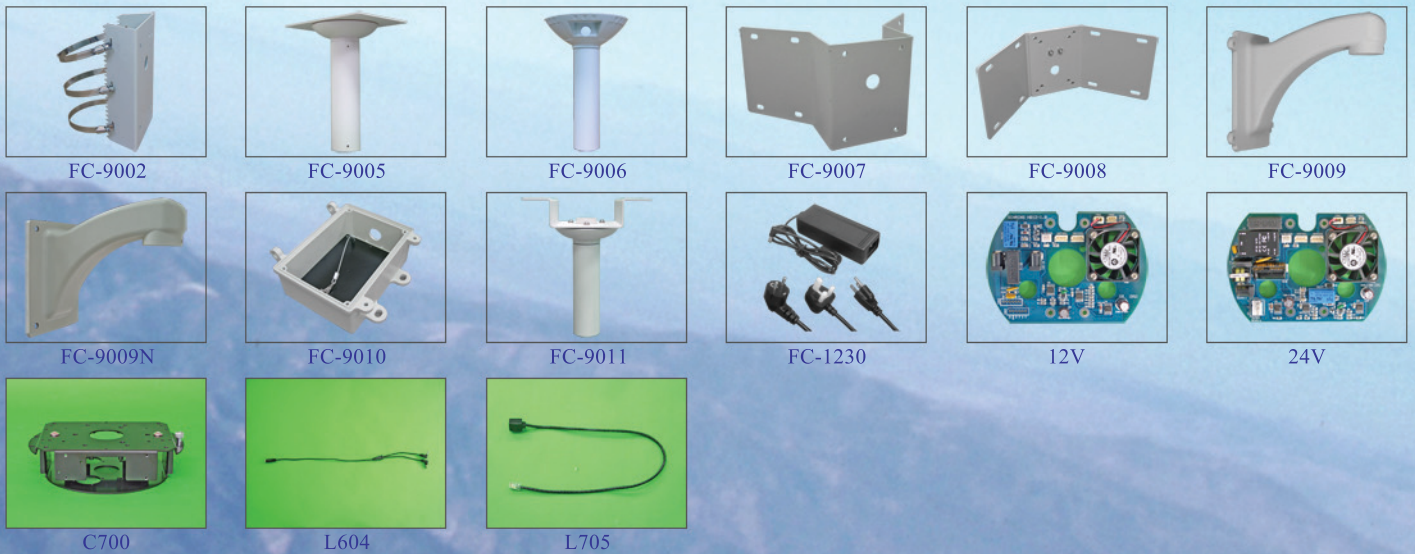




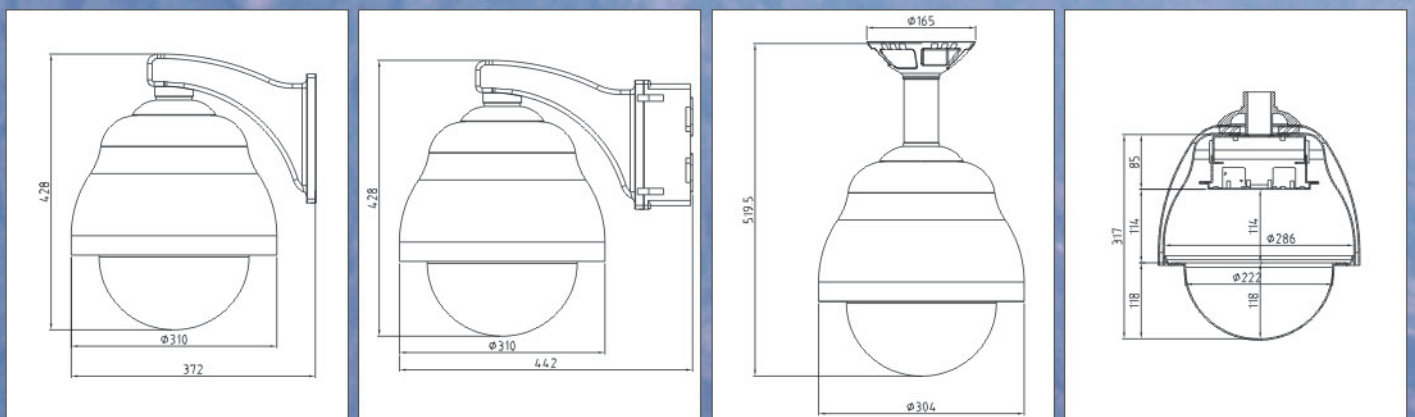

Overview

- 9" Aluminum Dome Enclosure, suitable for Outdoor and Indoor installation.
- Double-decked design strengthens the heat insulation.
- Inner Side – ABS / Outer Side – Aluminum / Cover – Acrylic.
- Built-in Fan & Heater to make sure the mechanism work in a precise temperature. (Optional)
- Equipped with a stainless steel retaining cable.
- FEVE Coating: Endure harsh environment, prevents acid and base moisture, five years warranty. (Optional)
- Internal support for camera or adjustment for speed dome and network camera.
- Wall Mount Bracket or Pendant Mount Bracket. (Selectable)

Related Products



Dimensions





Adaptors

FC-29W Dome Housing For IP Camera Models	
	Camera Models
SONY	SNC-RX530、SNC-RX550、SNC-RX570

Technical Data

ENVIRONMENT
Fan : 40°C ON , 30°C OFF
Heater : 5°C ON , 15°C OFF
In 12V DC , Consumption 12W Max.
COMPLIANCE TO
IP66 According to IPT2009152
RoHS : No. CE/2009/71724B (SGS)
ACCESSORIES
P1230 EN Power Adaptor in 12V DC for En
P1230 USA Power Adaptor in 12V DC for USA
P1230 EU Power Adaptor in 12V DC for EU
P1230 JP Power Adaptor in 12V DC for JAPAN
Fan Assisted Heater in 3A DC
Fan Assisted Heater in 3A DC